



TOROIDAL TRANSFORMERS



The wide range of HR toroidal transformers goes from 8VA to 20KVA, and their configuration of primary/secondary single, dual or multiple allow get any required configuration.

The toroidal transformers have a lot more advantages than the conventional and encapsulated ones. Their use is highly recommended due to their improvements in radiation, relation between volume and power, and assembly advantages.

- **T002~T004 Series.** 20-40VA
- **T005~T006 Series.** 50-60VA
- **T008~T012 Series.** 80-120VA
- **T016~T033 Series.** 160-330VA
- **T050 Serie.** 500VA
- **T075 Serie.** 750VA
- **T100 Serie.** 1000VA
- **T150 Serie.** 1500VA
- **T200 Serie.** 2000VA
- **T300 Serie.** 3000VA

Non-standard and higher power values on request.



TECHNICAL SPECIFICATIONS

- Designed and manufactured according regulations EN61558-1
- Double isolation copper wire
- Thermal class materials B (130°C/266°F)
- Ambient temperature of 40°C/104°F
- Magnetic core of grain-oriented silicon steel
- Superior isolation at 5M at 500 Vdc
- Primary Dielectric strength / superior secondary at 3 KV , 1min.
- Winding identification for colour references

Assembly Kit included



T002~T004 Series

External protection

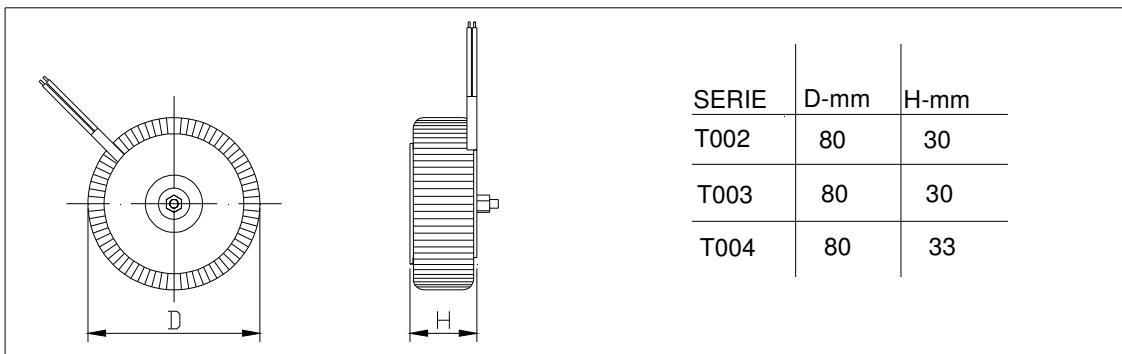
T002 Serie.
20VA – 40°C/B

T003 Serie.
30VA – 40°C/B

T004 Serie.
40VA – 40°C/B

According regulations:
EN61558 EN60950 EN60472 UL506
UL5085

PRIMARY(V)
115/230
SINGLE SECONDARY(V)
6/10/12/15/18/24/30/35/40/60/80
DOBLE SECONDARY(V)
2x6/2x10/2x12/2x15/2x18/2x24/2x30



T005~T006 Series

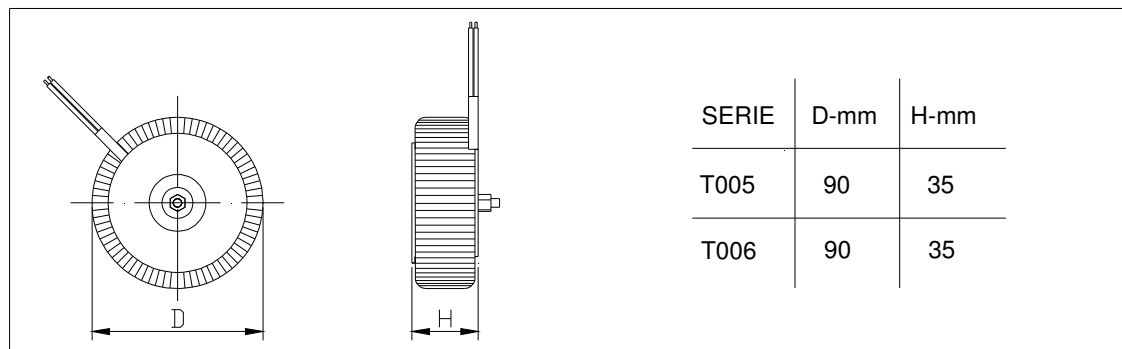
External protection

T005 Serie.
50VA – 40°C/B

T006 Serie.
60VA – 40°C/B

According regulations:
EN61558 EN60950 EN60472 UL506
UL5085

PRIMARY(V)
115/230
SINGLE SECONDARY(V)
6/10/12/15/18/24/30/35/40/60/80
DOBLE SECONDARY(V)
2x6/2x10/2x12/2x15/2x18/2x24/2x30/2x35





T008~T012 Series

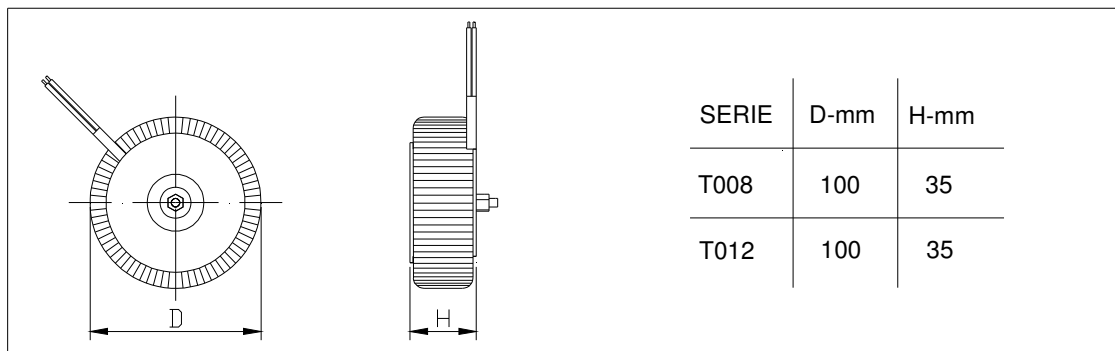
External protection

T008 Serie.
80VA – 40°C/B

T012 Serie.
120VA – 40°C/B

According regulations:
EN61558 EN60950 EN60472 UL506
UL5085

PRIMARY(V)
115/230
SINGLE SECONDARY(V)
6/10/12/15/18/24/30/35/40/60/80
DOBLE SECONDARY(V)
2x6/2x10/2x12/2x15/2x18/2x24/2x30/2x35/
2x40



T016~T033 Series

External protection

T016 Serie.
160VA – 40°C/B

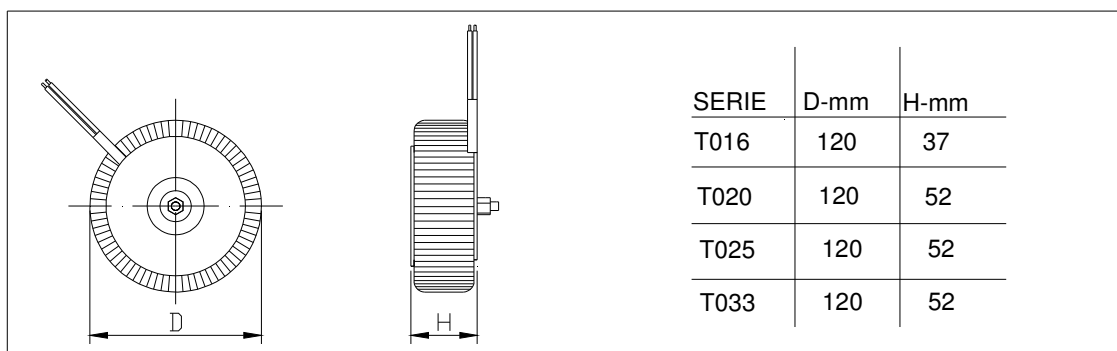
T020 Serie.
200VA – 40°C/B

T025 Serie.
250VA – 40°C/B

T033 Serie.
330VA – 40°C/B

According regulations:
EN61558 EN60950 EN60472 UL506
UL5085

PRIMARY(V)
115/230
SINGLE SECONDARY(V)
18/24/30/35/40/60/80
DOBLE SECONDARY(V)
2x10/2x12/2x15/2x18/2x24/2x30/2x35/2x40





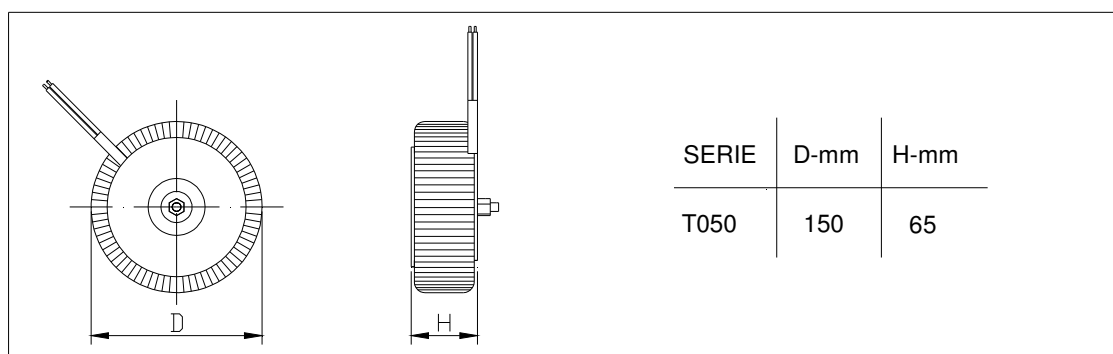
T050 Serie

External protection

T050 Serie.
500VA – 40°C/B

According regulations:
EN61558 EN60950 EN60472 UL506
UL5085

PRIMARY(V)
115/230
SINGLE SECONDARY(V)
30/35/40/60/80
DOBLE SECONDARY(V)
2x15/2x18/2x24/2x30/2x35/2x40/2x50/2x55



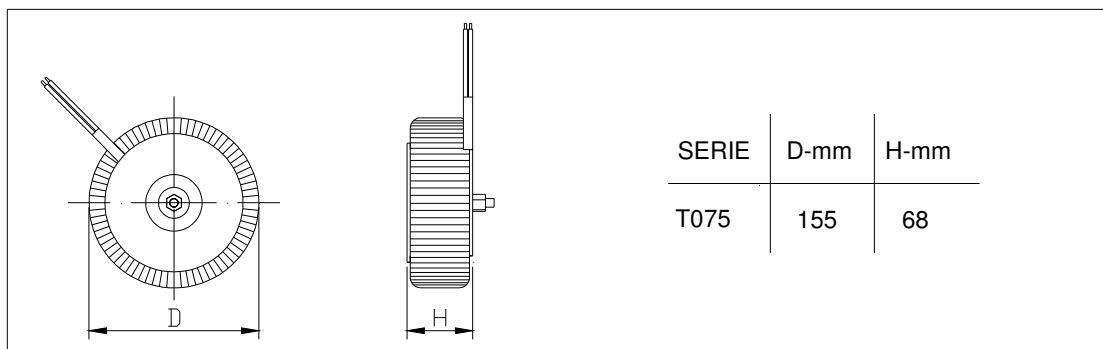
T075 Serie

External protection

T075 Serie.
750VA – 40°C/B

According regulations:
EN61558 EN60950 EN60472 UL506
UL5085

PRIMARY(V)
115/230
SINGLE SECONDARY(V)
40/60/80/100
DOBLE SECONDARY(V)
2x24/2x30/2x35/2x40/2x50/2x55/2x60





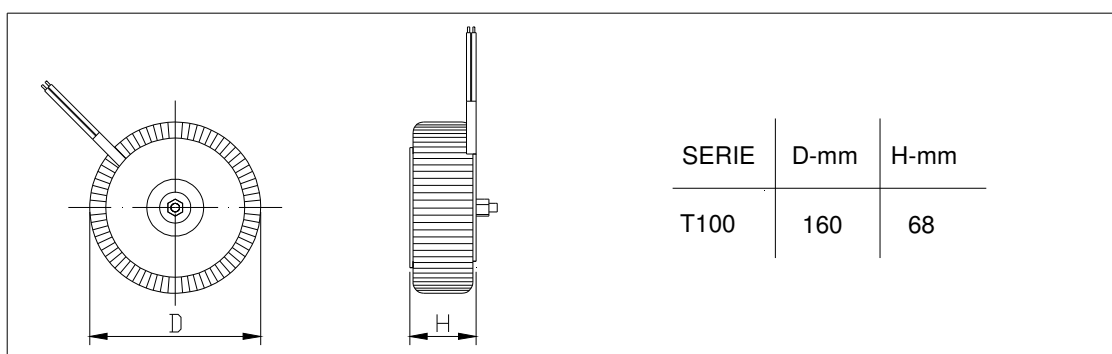
T100 Serie

External protection

T100 Serie.
1000VA – 40°C/B

According regulations:
EN61558 EN60950 EN60472 UL506
UL5085

PRIMARY(V)
115/230
SINGLE SECONDARY(V)
60/80/100/120
DOBLE SECONDARY(V)
2x30/2x35/2x40/2x50/2x55/2x60/2x80



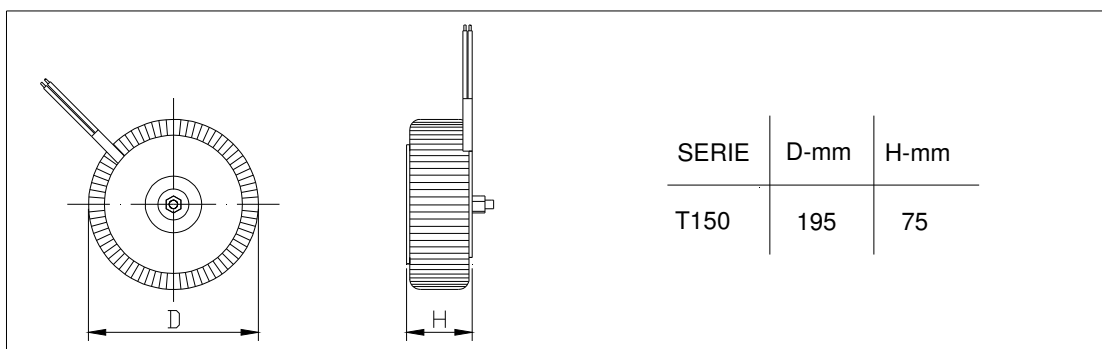
T150 Serie

External protection

T150 Serie.
1500VA – 40°C/B

According regulations:
EN61558 EN60950 EN60472 UL506
UL5085

PRIMARY(V)
115/230
SINGLE SECONDARY(V)
60/80/100/120
DOBLE SECONDARY(V)
2x30/2x35/2x40/2x50/2x55/2x60/2x80





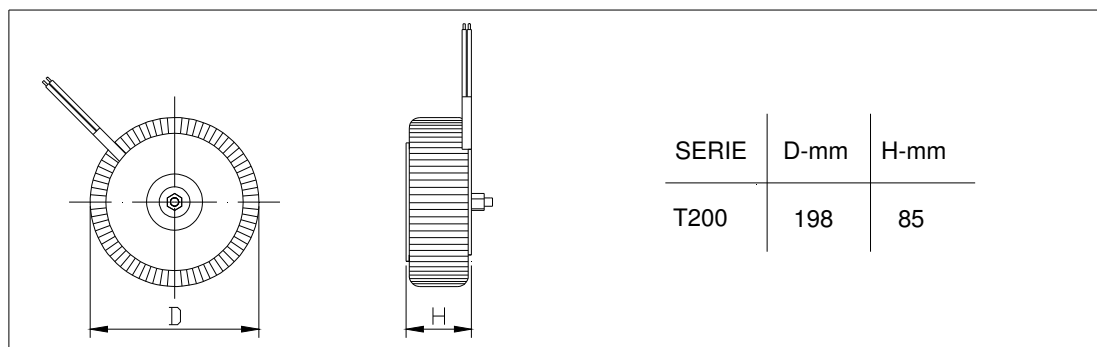
T200 Serie

External protection

T200 Serie.
2000VA – 40°C/B

According regulations:
EN61558 EN60950 EN60472 UL506
UL5085

Customized voltages



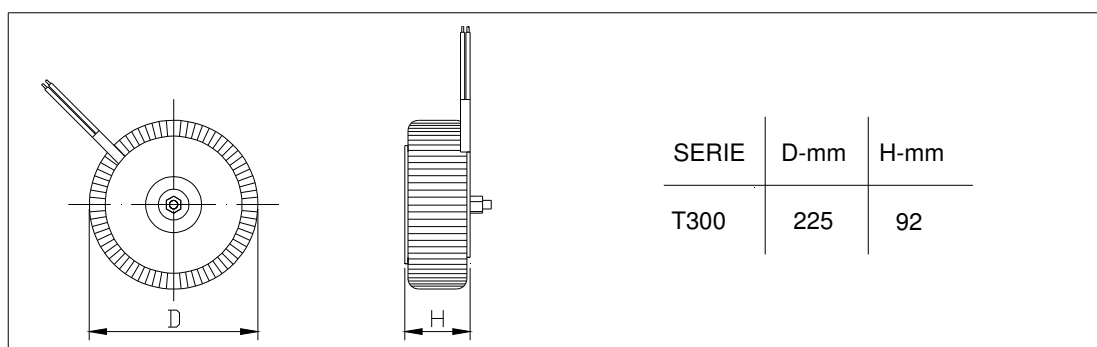
T300 Serie

External protection

T300 Serie.
3000VA – 40°C/B

According regulations:
EN61558 EN60950 EN60472 UL506
UL5085

Customized voltages





TOROIDAL TRANSFORMERS



POWER	Series	PRIMARY 230V 50/60Hz														Dimensions (mm)		Weight (kg)
		SINGLE SECONDARY														Out. Diamet.	Height	
		6 V	10 V	12 V	15 V	18 V	22 V	24 V	30 V	35 V	40 V	60 V	80 V	100 V	120 V			
20 VA	T 002XXX	106	110	112	115	118	122	124	130	135	140	160	180			80	30	0,37
	Is - A	3,33	2	1,66	1,33	1,11	0,9	0,83	0,66	0,57	0,5	0,33	0,25					
30 VA	T 003XXX	106	110	112	115	118	122	124	130	135	140	160	180			80	30	0,53
	Is - A	5	3	2,5	2	1,66	1,36	1,25	1	0,85	0,75	0,5	0,37					
40 VA	T 004XXX	106	110	112	115	118	122	124	130	135	140	160	180			80	33	0,56
	Is - A	6,66	4	3,33	2,66	2,22	1,81	1,66	1,33	1,14	1	0,66	0,5					
50 VA	T 005XXX	106	110	112	115	118	122	124	130	135	140	160	180			90	35	0,67
	Is - A	8,33	5	4,16	3,33	2,77	2,27	2,08	1,66	1,42	1,25	0,83	0,62					
60 VA	T 006XXX	106	110	112	115	118	122	124	130	135	140	160	180			90	35	0,75
	Is - A	10	6	5	4	3,33	2,72	2,5	2	1,71	1,5	1	0,75					
80 VA	T 008XXX	106	110	112	115	118	122	124	130	135	140	160	180			100	35	0,98
	Is - A	13,3	8	6,66	5,33	4,44	3,63	3,33	2,66	2,28	2	1,33	1					
120 VA	T 012XXX	106	110	112	115	118	122	124	130	135	140	160	180			100	35	1,37
	Is - A	20	12	10	8	6,66	5,45	5	4	3,42	3	2	1,5					
160 VA	T 016XXX					118	122	124	130	135	140	160	180			120	37	1,68
	Is - A					8,88	7,27	6,66	5,33	4,57	4	2,66	2					
200 VA	T 020XXX					118	122	124	130	135	140	160	180			120	52	2,15
	Is - A					11,1	9,09	8,33	6,06	5,71	5	33,3	2,5					
250 VA	T 025XXX					118	122	124	130	135	140	160	180			120	52	2,43
	Is - A					13,8	11,3	10,4	8,33	7,57	6,25	4,16	3,12					
330 VA	T 033XXX					118	122	124	130	135	140	160	180			120	52	2,95
	Is - A					18,3	15	13,7	11	9,42	8,25	5,5	4,12					
500 VA	T 050XXX								130	135	140	160	180	500		150	65	4,23
	Is - A								16,6	14,2	12,5	8,33	6,25	5				
750 VA	T 075XXX										140	160	180	500		155	68	5,75
	Is - A										18,7	12,5	9,37	7,5				
1000 VA	T 100XXX											160	180	500	520	160	68	6,92
	Is - A											16,6	12,5	10	8,33			
1500 VA	T 150XXX											160	180	500	520	195	75	10,6
	Is - A											25	18,7	15	12,5			
2000 VA	T 200XXX	Customized														198	85	12,8
	Is - A	Customized																
3000 VA	T 300XXX	Customized														225	92	19,6
	Is - A	Customized																



TOROIDAL TRANSFORMERS



POWER	Series	PRIMARY 230V 50/60Hz													Dimensions (mm)		Weight (kg)		
		DUAL SECONDARY 2 X () V.													Out. Diamet.	Height			
		2 x 6 V	2 x 10 V	2 x 12 V	2 x 15 V	2 x 18 V	2 x 22 V	2 x 24 V	2 x 30 V	2 x 35 V	2 x 40 V	2 x 50 V	2 x 55 V	2 x 60 V				2 x 80 V	
20 VA	T 002XXX Is - A	206 2x1,67	210 2x1	212 2x0,83	215 2x0,67	218 2x0,56	222 2x0,45	224 2x0,41	230 2x0,33								80	30	0,37
30 VA	T 003XXX Is - A	206 2x2,5	210 2x1,5	212 2x1,25	215 2x1	218 2x0,83	222 2x0,68	224 2x0,62	230 2x0,5								80	30	0,53
40 VA	T 004XXX Is - A	206 2x3,33	210 2x2	212 2x1,67	215 2x1,33	218 2x1,11	222 2x0,91	224 2x0,83	230 2x0,67								80	33	0,56
50 VA	T 005XXX Is - A	206 2x4,16	210 2x2,5	212 2x2,08	215 2x1,66	218 2x1,38	222 2x1,14	224 2x1,04	230 2x0,83								90	35	0,67
60 VA	T 006XXX Is - A	206 2x5	210 2x3	212 2x2,5	215 2x2	218 2x1,67	222 2x1,36	224 2x1,25	230 2x1	235 2x0,86							90	35	0,75
80 VA	T 008XXX Is - A	206 2x6,66	210 2x4	212 2x3,33	215 2x2,67	218 2x2,22	222 2x1,82	224 2x1,66	230 2x1,33	235 2x1,14	240 2x1						100	35	0,98
120 VA	T 012XXX Is - A	206 2x10	210 2x6	212 2x5	215 2x4	218 2x3,33	222 2x2,73	224 2x2,5	230 2x2	235 2x1,71	240 2x1,5						100	35	1,37
160 VA	T 016XXX Is - A		210 2x8	212 2x6,67	215 2x5,33	218 2x4,44	222 2x3,64	224 2x3,33	230 2x2,67	235 2x2,3	240 2x2						120	37	1,68
200 VA	T 020XXX Is - A		210 2x10	212 2x8,33	215 2x6,67	218 2x5,56	222 2x4,55	224 2x4,16	230 2x3,33	235 2x2,86	240 2x2,5						120	52	2,15
250 VA	T 025XXX Is - A			212 2x10,4	215 2x8,33	218 2x6,95	222 2x5,68	224 2x5,20	230 2x4,17	235 2x3,57	240 2x3,13						120	52	2,43
330 VA	T 033XXX Is - A				215 2x11	218 2x9,16	222 2x7,5	224 2x6,87	230 2x5,5	235 2x4,71	240 2x4,12	250 2x3,30					120	52	2,95
500 VA	T 050XXX Is - A				215 2x16,6	218 2x13,8	222 2x11,36	224 2x10,4	230 2x8,33	235 2x7,14	240 2x6,25	250 2x5	255 2x4,54				150	65	4,23
750 VA	T 075XXX Is - A							224 2x15,6	230 2x12,5	235 2x10,71	240 2x9,37	250 2x7,5	255 2x6,81	260 2x6,25			155	68	5,75
1000 VA	T 100XXX Is - A								230 2x16,6	235 2x14,28	240 2x12,5	250 2x10	255 2x9,09	260 2x8,33	280 2x6,25		160	68	6,92
1500 VA	T 150XXX Is - A								230 2x25	235 2x21,42	240 2x18,75	250 2x15	255 2x13,63	260 2x12,5	280 2x9,38		195	75	10,6
2000 VA	T 200XXX Is - A	Customized													198	85	12,8		
3000 VA	T 300XXX Is - A	Customized													225	92	19,6		